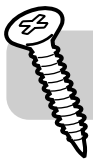
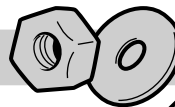


INCLUDED



Woodscrews X16
3,5mmX25mm

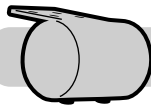
Washers & Nuts X4



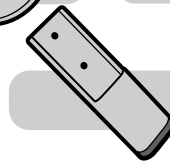
M6X25mm X4



Hex Wrenches X1



Metal Legs X4

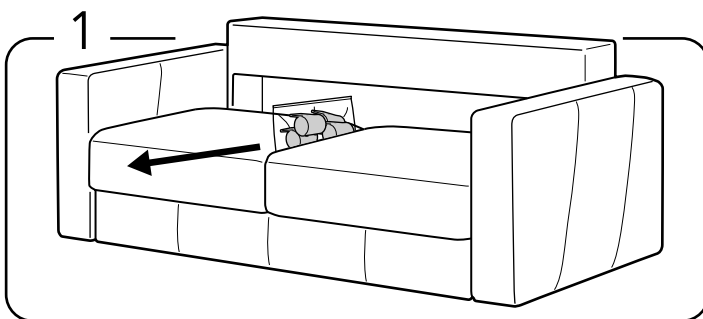


Support legs X2

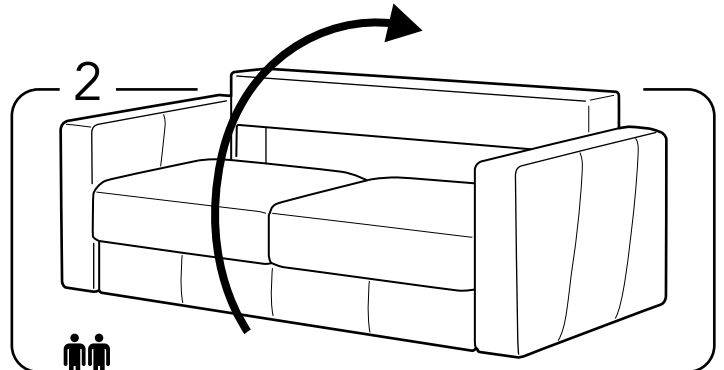
ATTENTION!

The Legs for your Luonto Sofa are secured to the top of the seat cushion or beneath the seat cushion (in the no-sag springs) depending on the sofa or leg style.

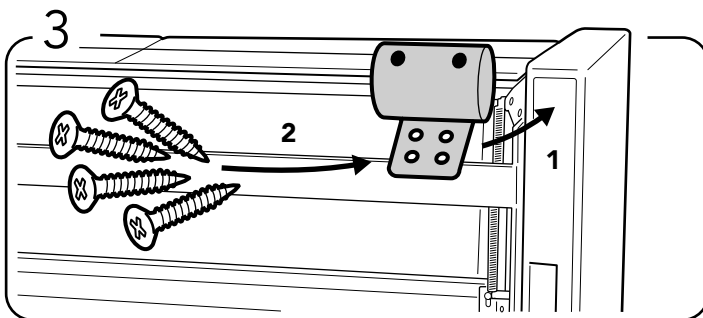
2-Persons
are required



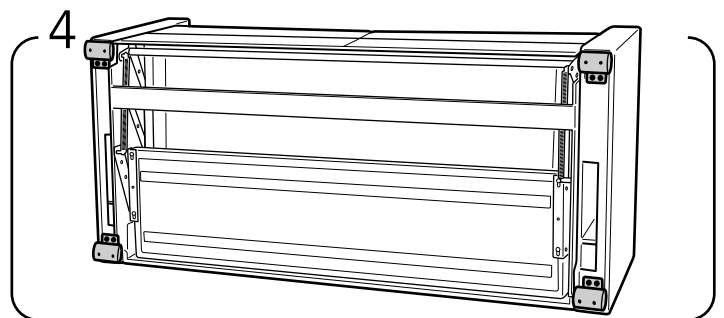
1 Remove the legs from the top of the seat cushion.



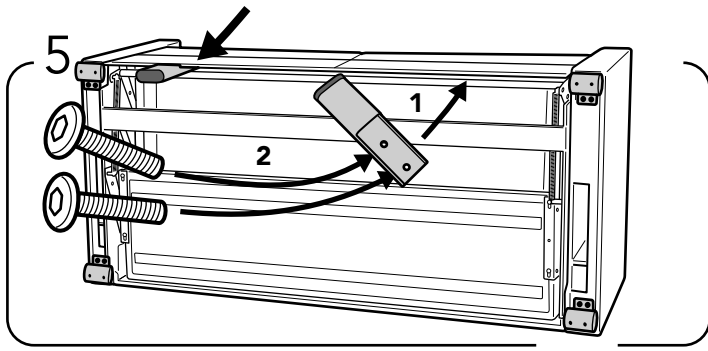
2 Turn the sofa to the backside.



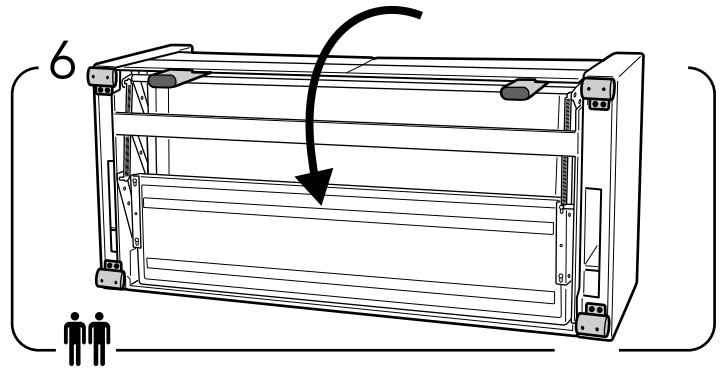
3 Mount the metal leg in place and screw the 4 (3,5mmX25mm) woodscrews.



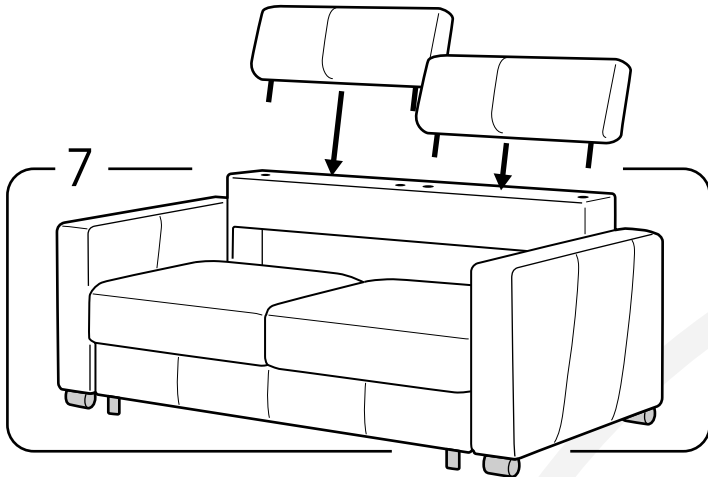
4 Repeat the same process for the 4 legs.



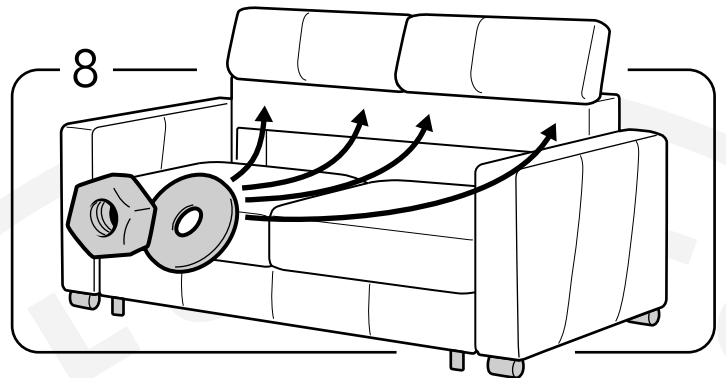
Mount the support leg in place and screw the 2 (M6X25mm) bolts into the pre-drilled holes.



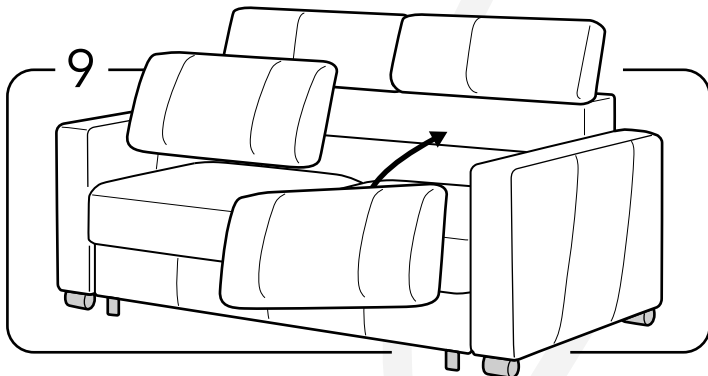
Carefully, turn the sofa upright and ensure each of the legs are installed properly.



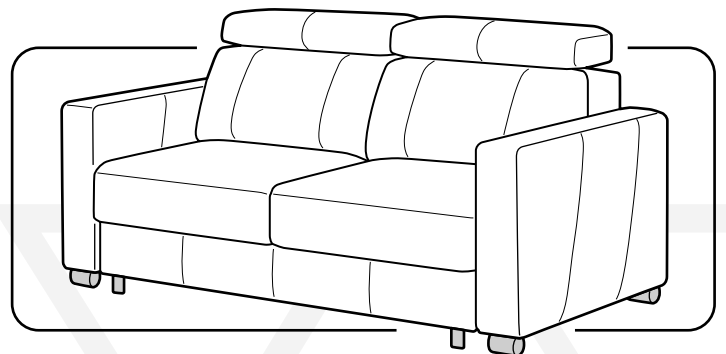
Insert the right and left ratchet back into the pre-drilled holes.



Tighten Ratchet Back Cushion to the back frame with washers and nuts.



Insert the back cushion



This is how the final product should look like.