

# LUONTO®

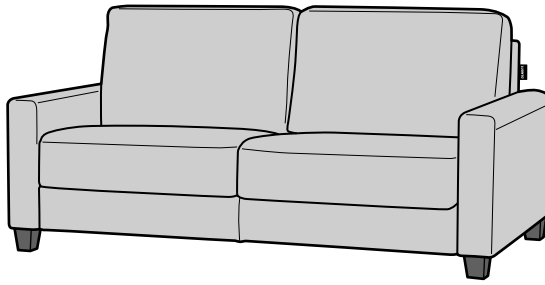
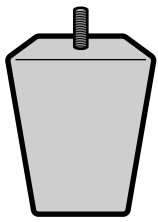
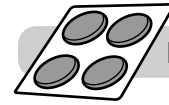
## NICO ASSEMBLY Locating and installing the legs

### INCLUDED

Wood Legs X4



Non Slip Pads X4



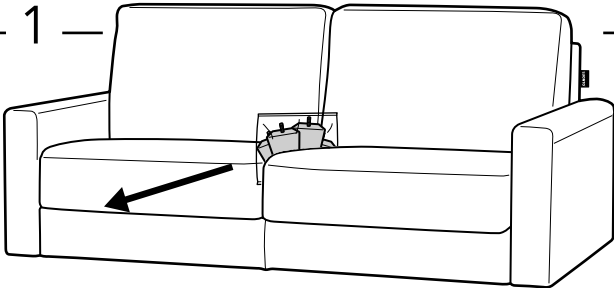
### ATTENTION!

The Legs for your Luonto Sofa are secured to the top of the seat cushion or beneath the seat cushion (in the no-sag springs) depending on the sofa or leg style.

2-Persons  
are required

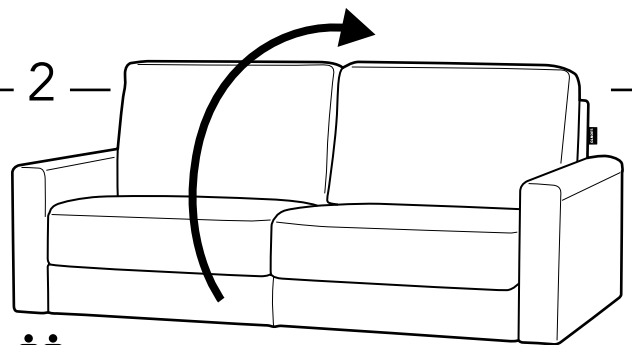


1



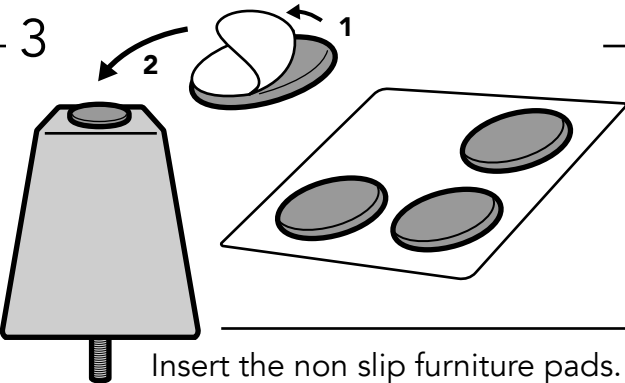
Remove the legs from the top of the seat cushion.

2



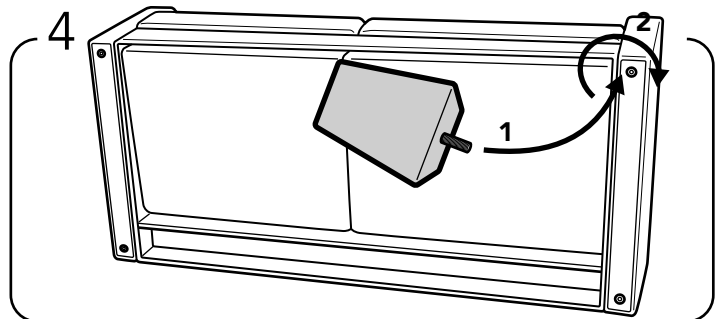
Turn the sofa to the backside.

3



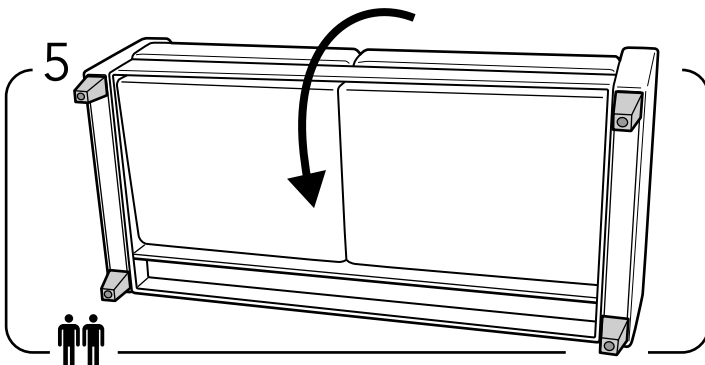
Insert the non slip furniture pads.

4

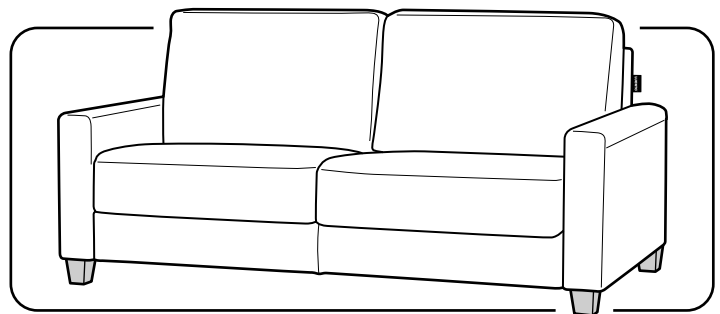


Mount them in place by twisting each clock-wise into the pre-drilled holes in each of the four.

5



Carefully, turn the sofa upright and ensure each of the legs are installed properly.



This is how the final product should look like