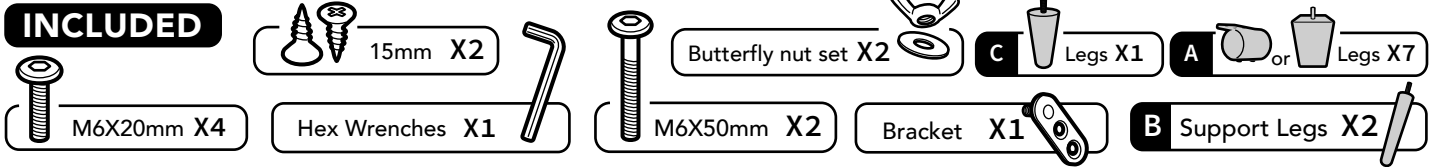
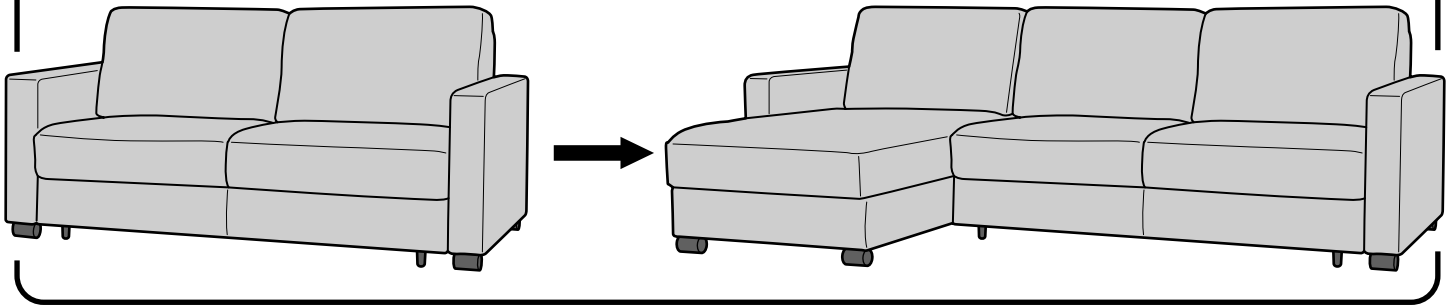


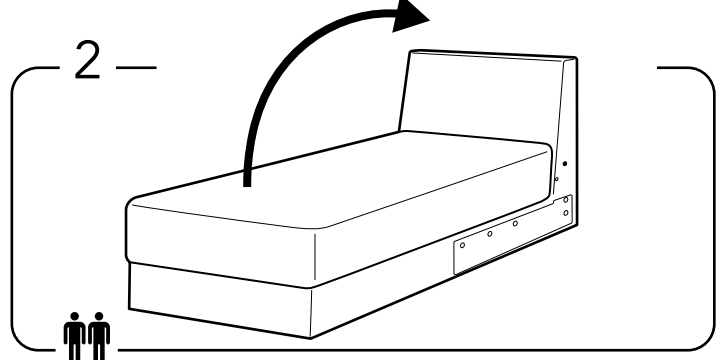
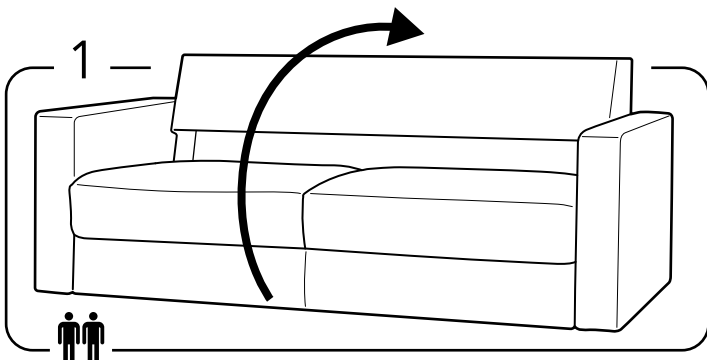
# LUONTO®

## ASSEMBLY INSTRUCTION

This assembly requires **2-persons**

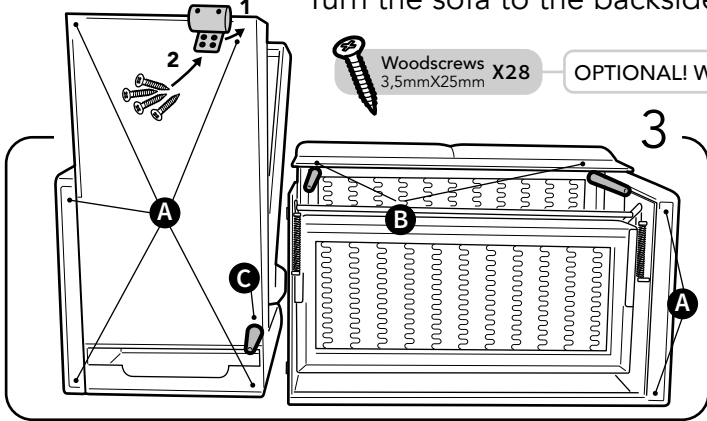


**ATTENTION!** Chaise can be assembled on either side. Process is same, only change is what arm is removed and mirror the process.

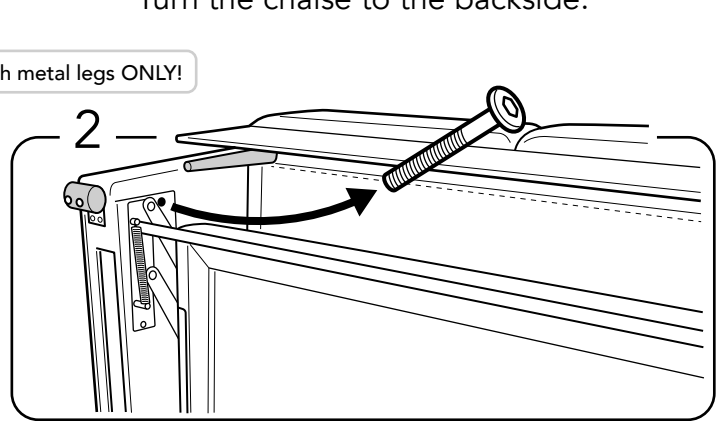


Turn the sofa to the backside.

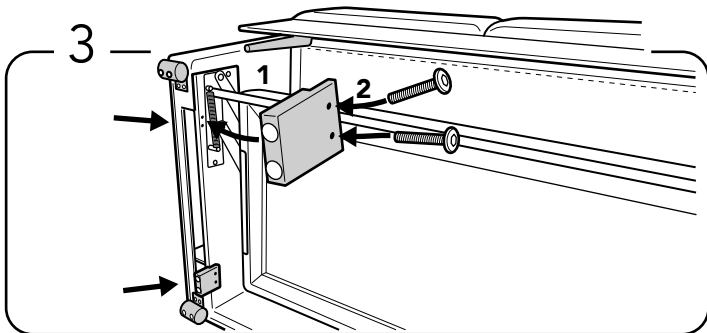
Turn the chaise to the backside.



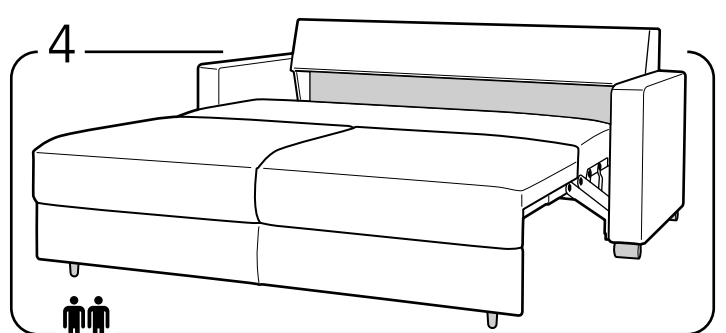
Insert all the legs



Remove the first armrest fixing bolt.

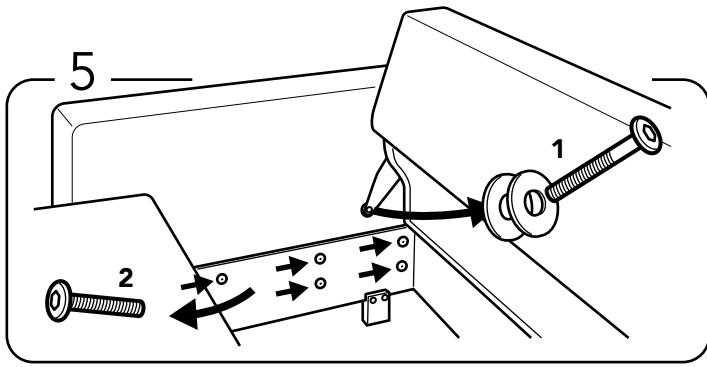


Mount the support leg in place and screw the 2 (M6X25mm) bolts into the pre-drilled holes.

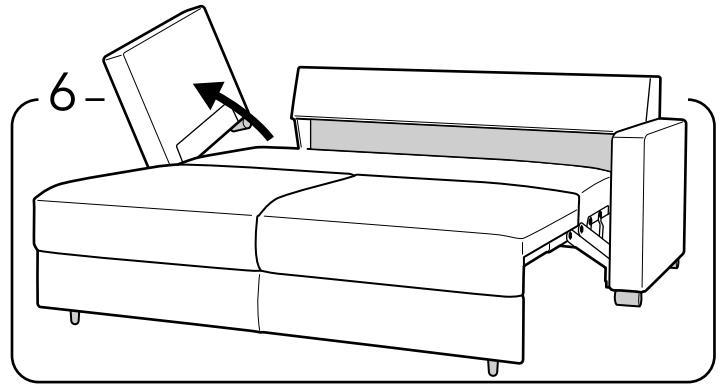


Turn the sofa back to the legs and open the bed mechanism.

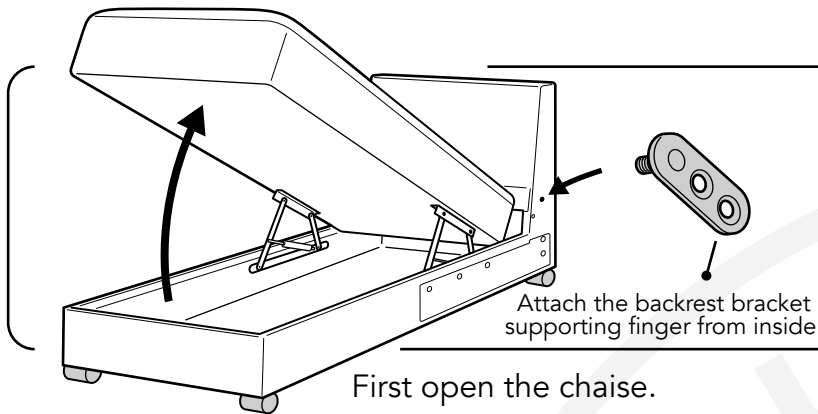




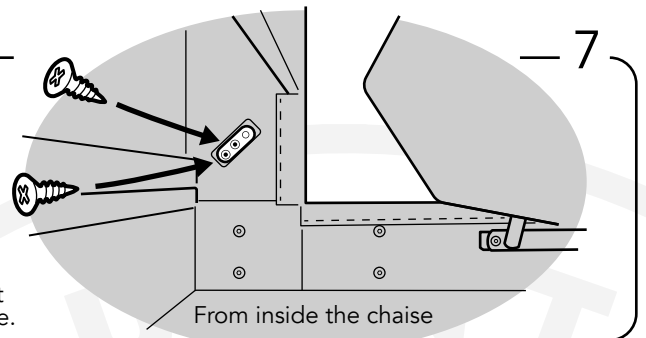
**1st** remove the backrest fixating bolt.  
**2nd** remove the 5 armrest fixating bolts.



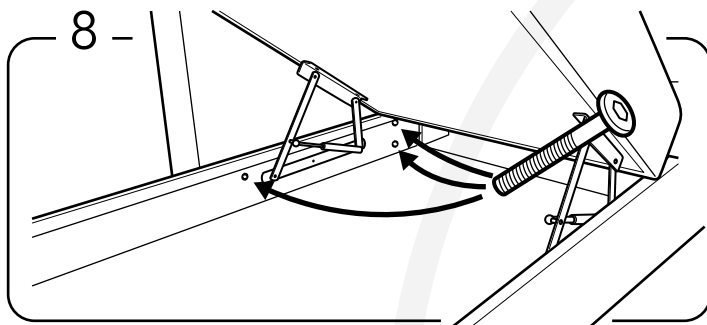
Remove the armrest and relocate.



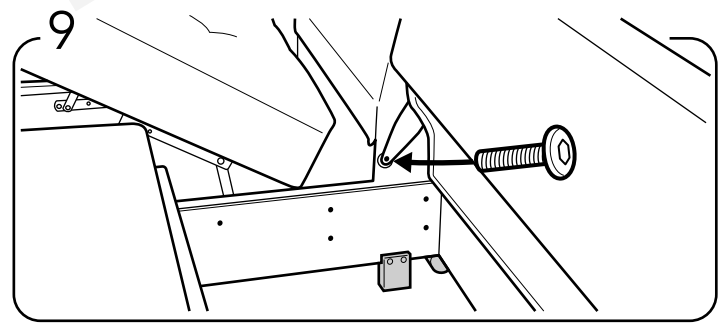
First open the chaise.



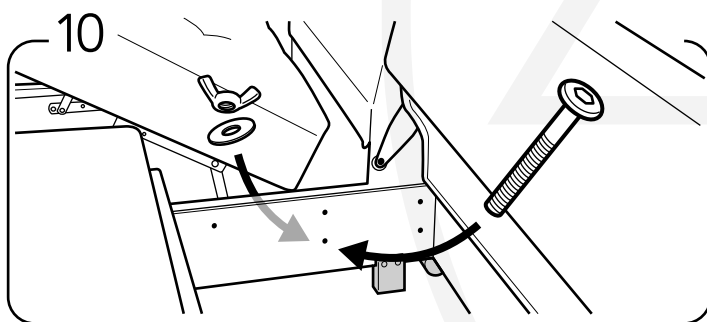
Fix the bracket with two 15 mm screws.



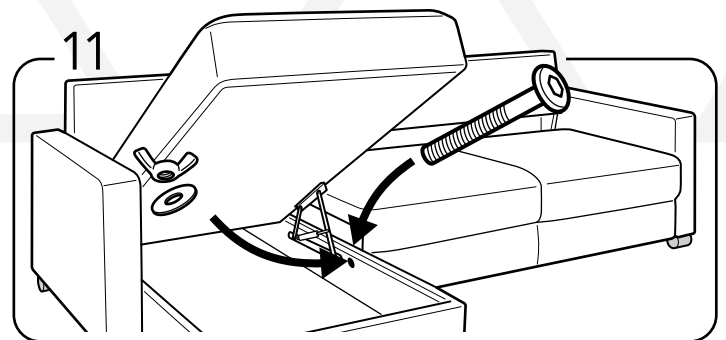
Fix the armrest with 3 bolts, one mount from frontside and two bolts mounts from backside.



Attach the backrest to the chaise part (don't forget to use the two washers between).



Mount the bed to openable chaise by using one bolt set on backside.



1st Close the bed mechanism.  
 2nd attach the bed at front with butterfly bolt set.

**ATTENTION!** Place the bolt from bedside and the butterfly nut from the chaise side